


Mansoura University		Mechanical Power Engineering Department Total Marks : 70	Faculty of Engineering
Course title: Heat Transfer and Air Conditioning		Course Code: 6124	
Date: May, 2014 (2 <sup>nd</sup> term)		Allowed time : 3.0 hrs	No. of Pages: 1 <b>(Open source)</b>
<b>Remarks: (Answer the following questions, and assume any missing data)</b>			

دعاء عند بداية الإجابة

رب اشرح لي صدري ويسر لي أمري واحلل عقدة من لساني يفقهوا قولي .. بسم الله الفتاح.. اللهم لا سهل إلا ما جعلته سهلاً وأنت تجعل الحزن إذا شئت سهلاً يا أرحم الراحمين.

**Question No. 1 (10Marks)**

Atmospheric air is at dry bulb temperature of 25°C and relative humidity of 50%, find the following.

- a- Dew point temperature
- b- Specific humidity
- c- Enthalpy
- d- Wet bulb temperature
- e- Saturation pressure and vapour pressure.

**Question No. 2 (10 Marks)**

10 cmm of moist air at 15°C DBT and 13°C WBT is mixed with 12 cmm of moist air at 25°C DBT and 18°C WBT.

1. State if there will be condensation or no.
2. Find the condition of the resulting mixture.

**Question No. 3 (5 Marks)**

Moist air at 25 °C and 70% enters a device and leaves at 34°C and 30%.

1. What is the type of this process?
2. What is the device which can achieve this process?

**Question No. 4 (10 Marks)**

Moist air at 35 °C and 50% is needed to be sensibly cooled to 20°C.

1. Draw the process on the psychrometric chart.
2. Find the condition of the cooled air.
3. Find the heat which has to be removed from the air stream.
4. If a cooling coil is used. State the constraints on the cooling coil temperature.
5. What other devices can be used for achieving this process.

**Question No. 4 (15 Marks)**

- Draw the flow diagram of a summer air conditioning system and plot the processes on the psychrometric chart.
- Draw the flow diagram of all year air conditioning system and list in a table which components of the system will be operating during summer and winter.
- Define the dew point temperature, specific humidity, relative humidity and wet bulb temperature.

**Question No. 4 (20 Marks)**

For the following composite wall and assuming steady heat transfer processes,

- Draw the equivalent thermal circuit for this composite wall.
- Calculate the over all thermal resistance between  $T_{air}$  and  $T_4$ .
- Calculate the heat transfer rate throw the composite wall.
- Calculate the temperatures  $T_1, T_2, T_{air}$ .

Use the following data,

Thickness of each layer is 10 mm

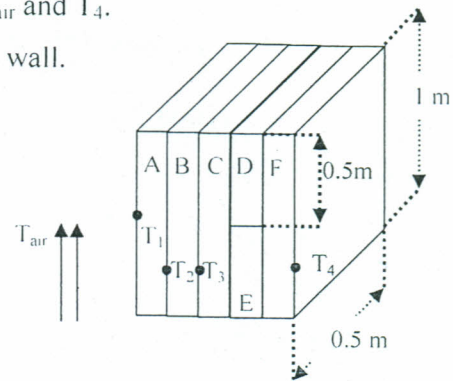
$T_4 = 150\text{ }^\circ\text{C}$  and  $T_3 = 60\text{ }^\circ\text{C}$

$k_A = k_F = 100\text{ W/mK}$

$k_B = k_E = 10\text{ W/mK}$

$k_C = k_D = 0.5\text{ W/mK}$

$h = 20\text{ W/m}^2\text{K}$



**End of Exam**

With my best wishes  
Dr. Ahmed Ramzy